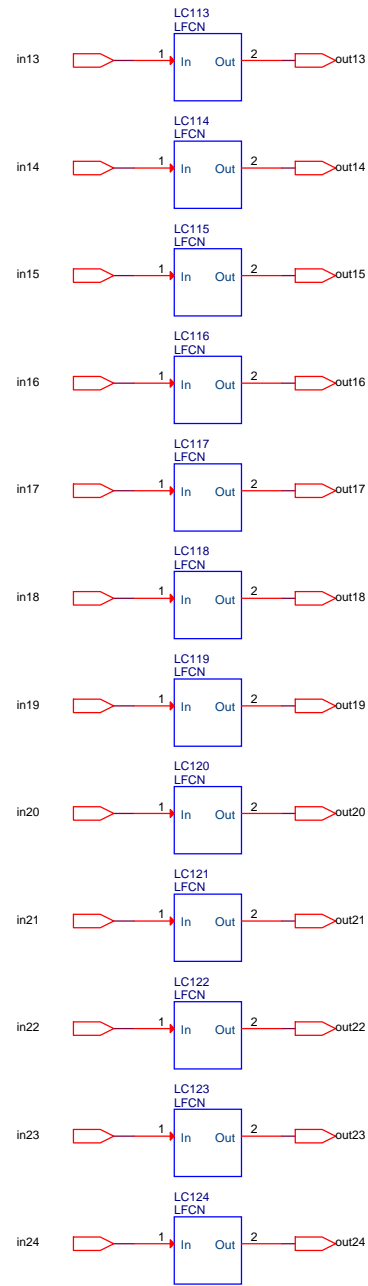
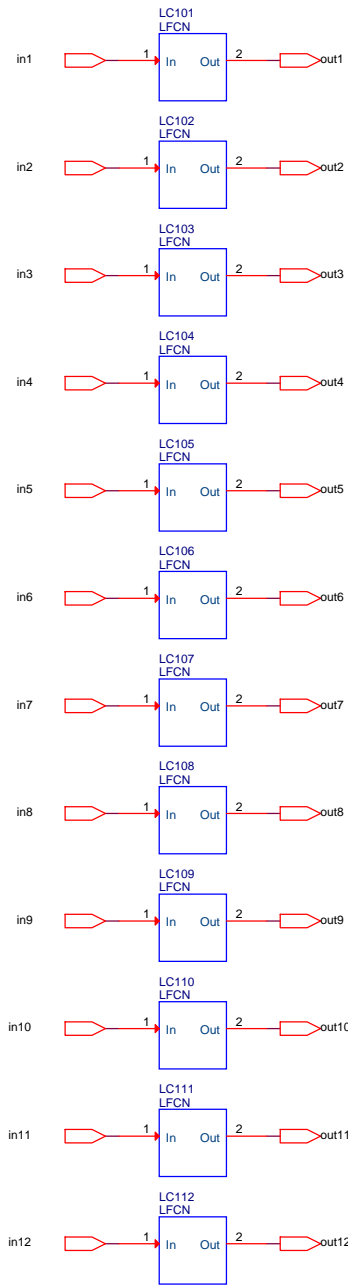
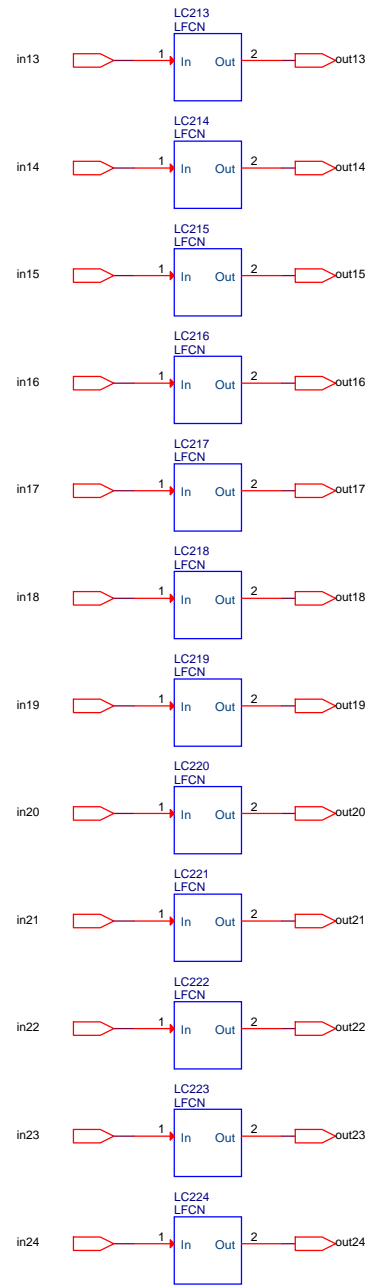
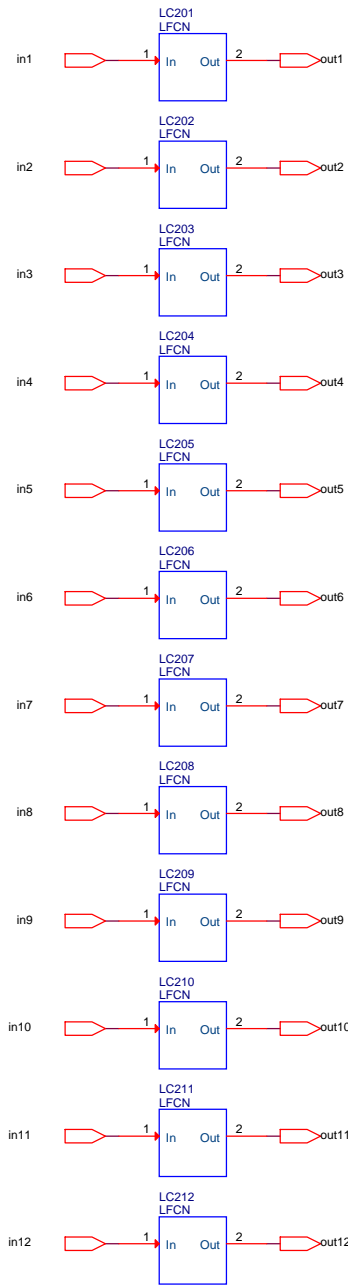


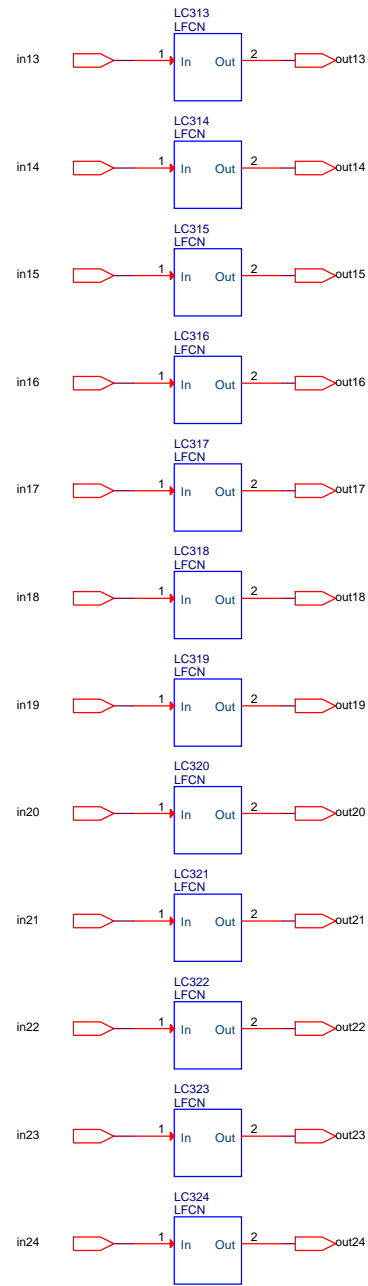
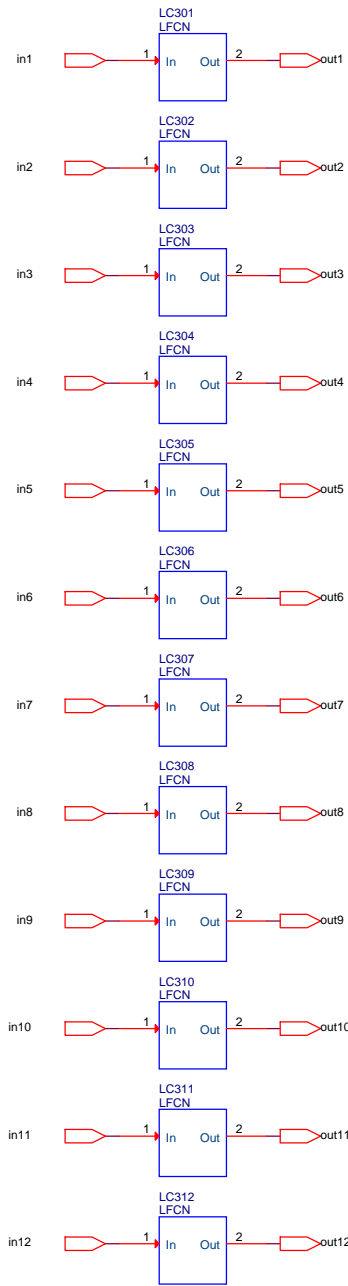
Title		
Cassidy I I		
Size	Document Number	Rev
A3	13-023/1	1
Date:	Wednesday, November 20, 2013	Sheet 1 of 4



Title		
LFCN Stage		
Size	Document Number	Rev
A3	LFCN	1
Date:	Wednesday, March 05, 2014	Sheet 2 of 4



Title			LFCN Stage
Size	Document Number	Rev	
A3	LFCN	1	
Date:	Wednesday, March 05, 2014	Sheet	2 of 4



Title			LFCN Stage
Size	Document Number	Rev	
A3	LFCN	1	
Date:	Wednesday, March 05, 2014	Sheet	4 of 4